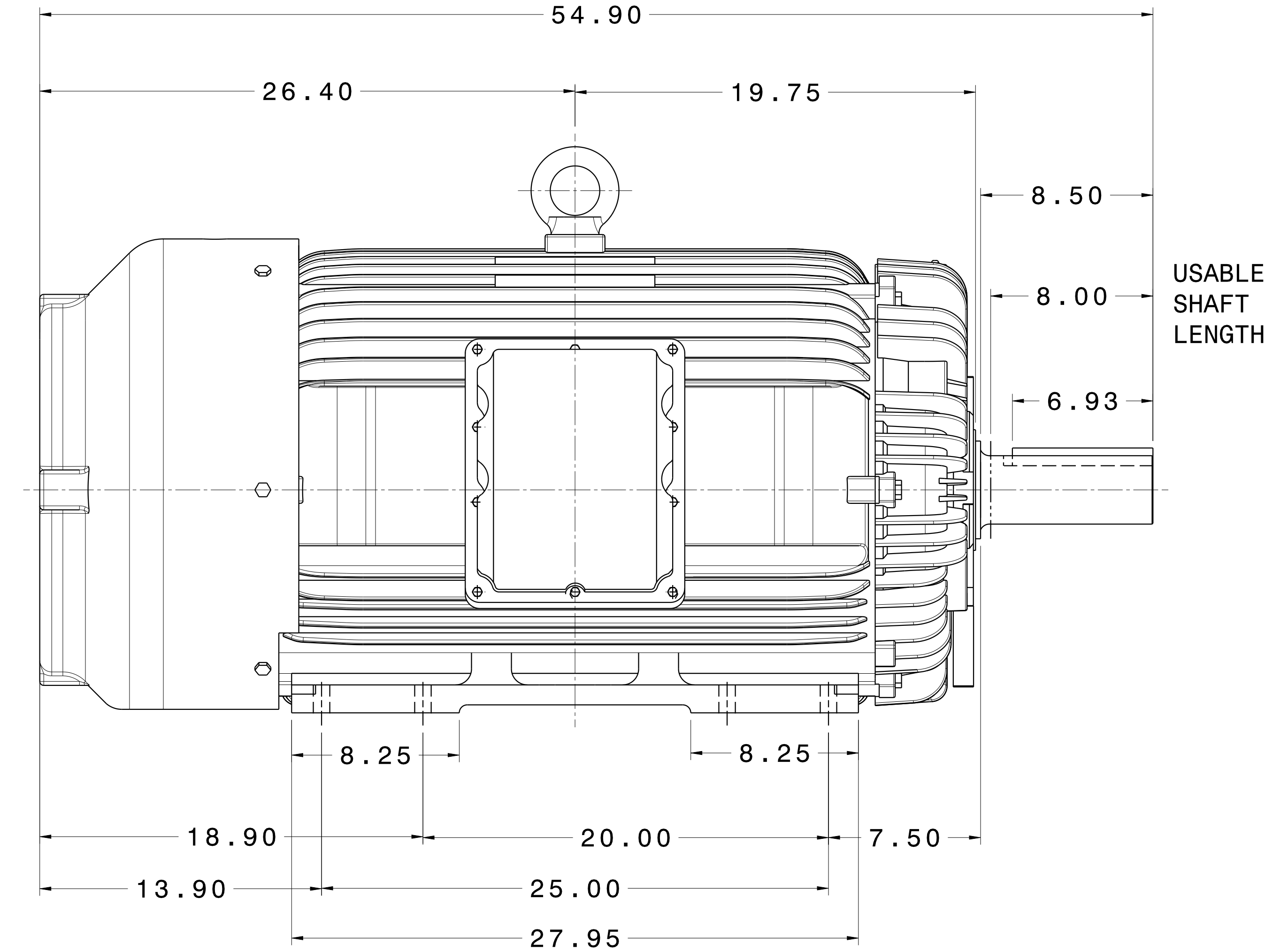
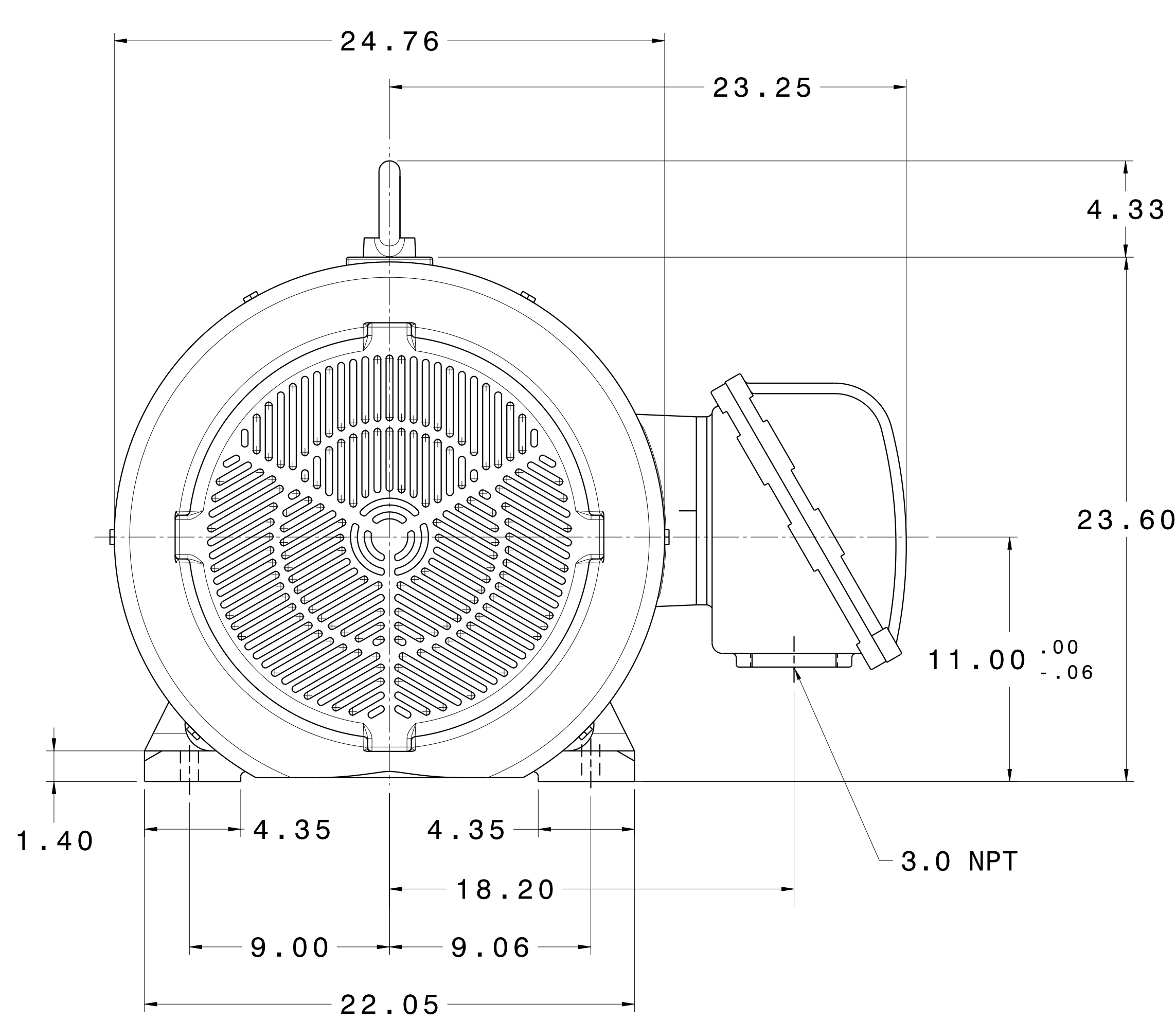
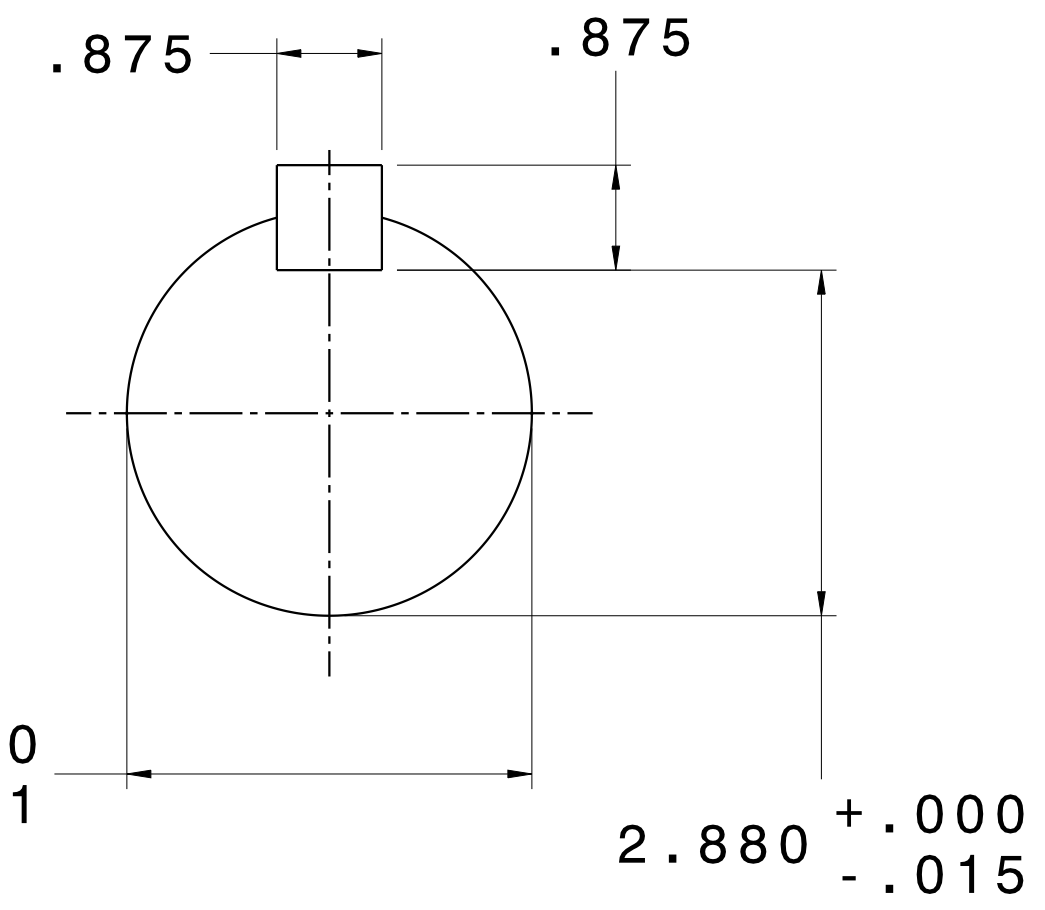


CATALOG #	TYPE	FRAME	OUTPUT		POLE	SYN. SPEED R.P.M.	VOLTAGE V.	Hz.	TIME RATING	INSULATION CLASS	SERVICE FACTOR	BEARINGS		WEIGHT LBS
			HP	KW								DE	NDE	
XP1506	AEHHXU	447T	150	112	4	1200	460	60	CONT.	F	1.15	6320C3	6316C3	2200

TOTALLY ENCLOSED FAN-COOLED TYPE. SQUIRREL CAGE MOTOR



USABLE SHAFT LENGTH



- NOTES:
1. DIMENSIONS IN INCH.
  2. ENCLOSURE: IP54.
  3. FOR DIRECT FLEXIBLE COUPLING.
  4. SUITABLE FOR DIVISION I, CLASS I, GROUP D AND CLASS II, GROUPS E,F,G.

REF:	REV. DATA			
	TECO Westinghouse			REV NO 01
	3-PHASE INDUCTION MOTOR OUTLINE DIMENSIONS			DWG NO. XP1506
	DWN T. FELPS	042616	APPD S. GROHOSKY	042616
TECO-WESTINGHOUSE MOTOR COMPANY		ROUND ROCK, TEXAS USA		